

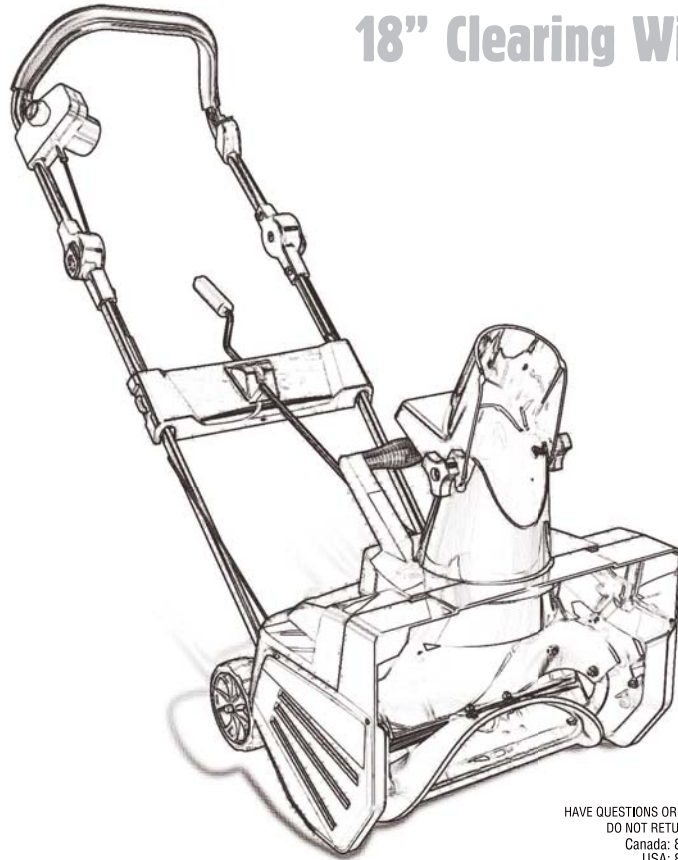


APSB1810E

# Owner's Manual

## 120V Electric Snow Blower

### 18" Clearing Width



HAVE QUESTIONS OR NEED SERVICE  
DO NOT RETURN TO STORE!  
Canada: 866.882.8088  
USA: 888.896.6881



Warning To Reduce The Risk Of Injury, User Must  
Read And Understand Instruction Manual.

[www.allpoweramerica.com](http://www.allpoweramerica.com)

Content  
Parts List  
Technical Data  
Safety Instructions  
Getting Started

Content  
Operation  
Maintenance  
Storage

#### Parts List

1. Handle
2. Connection knob
3. Operation panel
4. Chute Deflector
5. Discharge Chute
6. Auger
7. Side cover
8. Housing
9. Below handle
10. Switch box
11. Handle sponge

#### Technical Data

Rated Voltage: 120V~ 60Hz

Ampage: 13.5 A

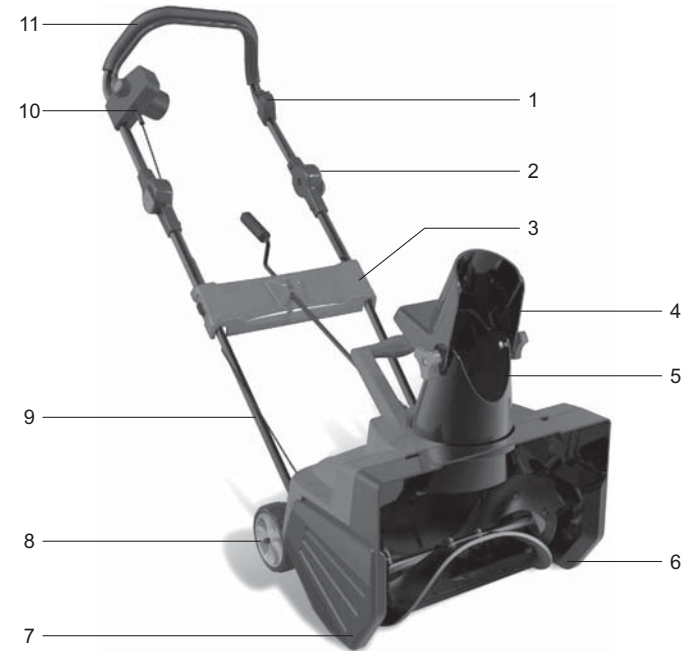
Plowing Capacity: Max. 720M<sup>2</sup>/HR

Idling/Rotation Speed: 1700rpm

Plow depth and width: Approx. 11.8" and 18"

Max Spraying Distance: 1.5-3 feet

Weight: 16.20kg



## IMPORTANT!

### Safety Instructions

#### GENERAL SAFETY INSTRUCTIONS

Warning: Read all instructions. Failure to follow all instructions listed below may result in electric shock, fire and/or serious personal injury. The term "power tool" in all of the warnings listed below refers to your mains-operated (corded) power tool or battery-operated (cordless) power tool.

#### SAVE THESE INSTRUCTIONS

##### 1) WORK AREA

- a) Keep work area clean and well lit. Cluttered and dark areas invite accidents.
- b) Do not operate power tools in explosive atmosphere, such as in the presence of flammable liquids, gases, or dust. Power tools create sparks which may ignite the dust or fumes.
- c) Keep children, pets and bystanders away while from work area. Be aware that the normal noise of the machine when turned on may make it difficult for you to hear approaching people.

##### 2) ELECTRICAL SAFETY

- a) Electrical plugs must match the outlet. Never modify the plug in any way. Do not use any adapter plugs with earthed (grounded) power tools. Unmodified plugs and matching outlets will reduce risk of electric shock.
- b) Avoid body contact with earthed or grounded surfaces such as pipes, radiators, ranges, and refrigerators. There is an increased risk of electric shock if your body is earthed or grounded.
- c) Do not expose power tools to rain or wet conditions. Water entering a power tool will increase the risk of electric shock.
- d) Do not abuse the cord. Never use the cord for carrying, pulling or unplugging the power tool. Keep cord away from heat, oil, sharp edges or moving parts. Damaged or entangled cords increase the risk of electric shock.
- e) When operating a power tool outdoors, use an extension cord suitable for outdoor use. Use of a cord suitable for outdoor use reduces the risk of electric shock.

##### 3) PERSONAL SAFETY

- a) Stay alert, watch what you are doing and use common sense when operating a power tool. Do not use a power tool while you are tired or under the influence of drugs, alcohol, or medication. A moment of inattention while operating power tools may result in serious personal injury.
- b) Use safety equipment. Always wear eye protection. Safety equipment such as a dust mask, non-skid safety shoes, hard hat, or hearing protection used for appropriate conditions will reduce personal injuries.
- c) Avoid accidental starting. Ensure the switch is in the off-position before plugging in. Carrying power tools with your finger on the switch or plugging in power tools that have the switch on invites accidents.
- d) Remove any adjusting key or wrench before turning the tool on. A wrench or a key that is left attached to a rotating part of the power tool may result in personal injury.
- e) Do not overreach. Keep proper footing and balance at all times. This enables better control of the power tool in unexpected situations.
- f) Dress properly. Do not wear loose clothing or jewellery. Keep your hair, clothing, and gloves away from moving parts. Loose clothes, jewellery or long hair can be caught in moving parts.
- g) If devices are provided for the connection of dust extraction and collection facilities, ensure that these are connected and properly used. Use of these devices can reduce dust-related hazards.

##### 4) POWER TOOLS USE AND CARE

- a) Do not force the power tool. Use the correct power tool for your application. The correct power tool will do the job better and safer at the rate from which it was designed.
- b) Do not use the power tool if the switch does not turn it on and off. Any power tool that can not be controlled with the switch is dangerous and must be repaired.
- c) Disconnect the plug from the power source before making any adjustments, changing accessories, or storing power tools. Such preventive safety measures reduce the risk of

starting the power tool accidentally.

- d) Store idle power tools out of the reach of children and do not allow persons unfamiliar with the power tool or these instructions to operate the power tool. Power tools are dangerous in the hands of untrained users.
  - e) Maintain power tools. Check for misalignment or binding of moving parts, breakage of parts, and any other conditions that may affect the power tools operation. If damaged, have the power tool repaired before use. Many accidents are caused by poorly maintained power tools.
  - f) Keep cutting tools sharp and clean. Properly maintained cutting tools with sharp cutting edges are less likely to bind and are easier to control.
  - g) Use the power tool, accessories and tool bits etc., in accordance with these instructions and in the manner intended for the particular type of power tool, taking into account the working conditions and the work to be performed. Use of the power tool for operations different from intended could result in a hazardous situation.
- ##### 5) SERVICE
- a) Have your power tools serviced by a qualified repair person using only identical replacement parts. This will ensure that the safety of the power tools is maintained.

#### ADDITIONAL SAFETY RULES FOR SNOW THROWER

- Know your tool. Read owner's manual carefully. Learn its applications and limitations as well as the specific potential hazards related to this tool.
- Do not operate this unit when tired, ill or under the influence of alcohol, drugs, or medication.
- All guards and safety attachments must be installed properly before using the unit.
- Inspect the unit before use. Ensure the parts are installed correctly and secure.
- Clear the area to be plowed before each use. Remove all objects such as rocks, broken glass, nails, wire, or string which can be thrown or become entangled in this tool.
- Keep the area of operation clear of all persons, particularly children and pets.
- Avoid dangerous environment. Don't use power tools in damp or wet locations or expose to rain. Keep work area well lit.
- Keep work area clean. Cluttered areas and benches invite accidents.
- Be cautious to avoid electric shock. When using the machine keep your body away from different ground terminal of power (e.g. upper and lower water pipes, outer frame of heating equipment, microwave oven, or in a place that is locked).
- The machine should be stored carefully and safely in a dry environment when not used, far from the reach of children, or in a place that is locked.
- Please do not use the machine in any purposes other than it is designed for, otherwise, it may cause mechanical defaults or serious damage or injuries.
- Special care should be drawn to the following issues when using this machine: operation methods, procedures, surroundings, and environment states, etc.
- When using this machine, the user should be cautious about the nearby status or changes: The user should constantly observe the position and movement of other people, nearby window, vehicles, obstacles, etc. Exercise caution to find any small piece of rocks or other articles in the snow to avoid them from flying out and causing personal injury.
- In case of following conditions, please turn off the machine and pull out the power plug: When not used, being repaired, replaced of some parts, being cleaned and checked as well as any other conditions in which dangerous factors exist. If cord is damaged in manner while plugged in, pull extension cord from wall receptacle. Never carry snow thrower by cord yank it to disconnect from receptacle.
- Do not use hands to unclog chute. Stop motor before removing Debris. Do not walk in front of running machine. Do not direct discharge at bystander.
- When using the machine the user must keep correct postures. Heels should be placed firmly on the ground, while the hands hold the handles firmly.(Pic )
- Before using the machine, the user should have a careful inspection of the main machine. Carefully check the different parts of the machine before starting, solving any problem immediately. If you find any abnormal condition, please don't use the machine before repairing.

- If you find the main power cable or the extension cable damaged, please pull out the plug from the socket and disconnect the power immediately. Repair the cable or replace it if necessary. When adding the lubricant or replacing any parts, you must strictly observe the instructions and procedures described in this User Manual. Special care should be paid to any rubber parts, since these parts may increase the engine load and decrease its mechanical power if damaged.
- When you examine, service clean the machine or replace parts, you must turn off the power switch and disconnect the power cable. Any such operation should be performed after revolving part inside the machine stops completely.
- The first time you use the machine or after replacing some parts, you should perform a test running and ensure no abnormal conditions exist to avoid any potential damages or incidents.
- Do not move or transport the machine when the plug is connected into the power socket and the switch is turned on.
- When using the machine you must respect local laws and regulations regarding noise control and environment protection. To avoid any noise disturbance to other people, you should carefully decide operation time and consider the surrounding conditions.
- When the machine is running, be cautious to prevent your hands, feet or head from moving near to the revolving part or the snow exit of the machine.
- In case you fall or collide with the machine, please check the main machine and parts for any damages or cracks.
- When stepping backwards, be cautious about any obstacles beneath your feet or behind you to avoid falling.
- When using the machine, if you notice the machine running in an unstable state or hear abnormal sound from the engine, please stop the machine and disconnect the power immediately and contact your original distributor.
- When operating the machine, while taking care of your safety, you should also be cautious to avoid any harm to other people. Call nearby passengers' attention to avoid potential personal injury.
- Use for snow removal only.
- Please do not take back and store the machine while it is still connected to the power source. It may cause damage and injury.
- Keep the plug clear from water.
- To prevent electric shock use only with an extension cord suitable for outdoor use. (Does not apply to battery-operated Snow Thrower)
- Keep hands away from moving parts. Shut off engine before unclogging discharge chute.
- Dress properly. Do not wear loose clothing or jewellery. They can be caught in moving parts. Rubber gloves and non-skid footwear are recommended when working outdoors. The user should wear a protective helmet to avoid your hair from getting in contact with any revolving part of the machine.
- Keep children and visitors away. Visitors should wear safety glasses and be kept a safe distance from work area. Do not let visitors contact too or extension cord.
- Use right tool. Don't force small tool or attachment to do the job of a heavy duty tool. Don't use tool for purpose not intended.
- Do not force unit. It will do the job better and with less likelihood of injury at a rate for which it was designed.
- Always wear safety glasses. Everyday eyeglasses have only impact resistance lenses. They are not safety glasses.
- Keep hands, face and feet at a distance from all moving parts. Do not touch or try to stop the machine when they are rotating. Do not operate without guards in place.



#### Safety and Instruction Decals

Safety decals and instructions are easily visible to the operator and are located near areas of potential danger. Lost or damaged decals should be replaced.



TO START  
Press Switch  
Squeeze Bar

TO STOP  
Release Bar

#### WARNING!

Electric shock can cause serious injury or death.

To avoid electric shock: DO NOT USE SNOW THROWER IF WIRE INSULATION IS DAMAGED. READ ASSEMBLY INSTRUCTIONS AND OPERATOR'S MANUAL.

#### GETTING STARTED

1. Remove the snow thrower and all other items from box.
2. Check all items for shipping damage. If you find any damage or any parts are missing, promptly inform the dealer where you bought the Snow Thrower. The snow thrower is to be assembled before the operation. To assemble the snow thrower following the instructions below.  
Upper, Middle and Lower Frame Assembly
3. Loosen and remove the four sets of joint fixing T-bolts, connectors, washers, and joint fixing knobs to separate the upper frame from the middle frame and middle frame from the lower frame.
  1. Hold the upper frame so that the screw holes align with the holes on the middle frame. Insert the T-bolt with connector and washer into the holes on each side and use the joint fixing knobs to secure the connection on both sides. The joint fixing bolts and washers should be inserted inside the frame of the unit so that the joint fixing knobs are fastened to the outside of the frame. See Pic1-3
  2. Follow same instructions to assemble the middle frame with the lower frame.  
Note: Do not over-tighten the joint fixing knobs.



Pic.1



Pic.2



Pic.3

3. Locate the three cable clips in the parts bag. Secure the power cord to the frame of the unit by clipping them onto the frame at evenly spaced intervals.

### Discharge Chute Assembly

1. Locate the discharge chute from the carton See Pic a
2. Put the chute on the main cover, aligning the teeth on the discharge chute with that on the main cover . See Pic b
3. Loosen the bolt on the chute and align the hole on the chute with that on the main cover, Fasten the bolt. See. Pic.c



Pic.a



Pic.b



Pic.c

### Operation

Note: Before using this machine, make sure that the power source you will use complies with the specifications detailed in this manual. Before inserting the plug into the socket, verify that the snow thrower's roll shaft and rubber plates are firmly secured with screws, and that the rubber plates are facing the correct direction. Perform a test run to ensure that the rotor turns freely.

### Securing the Extension Cord

1. For safe and efficient use of you snow thrower, use only a UL-rated or CSA extension cord recommended for outdoor use. Refer to the Extension Cord Chart that follows.



#### WARNING

Electric shock may cause SEVERE INJURY or DEATH. Heed these warnings:

- Do not allow any part of snow thrower to make contact with water while powered on. If the appliance becomes wet while turned off, wipe dry before starting.
- Use only a UL-rated or CSA-rated extension cord for outdoor, all-weather use. Do not use an extension cord over 150 feet (46 meters)
- Do not touch the appliance or its plug with wet hands or while standing in water. Wearing rubber boots offers some protection.

#### EXTENSION CORD CHART

Cord Length is:	100ft. (30 m)	150ft.(46m)
Wire gauge is:	16	14

2. To prevent the extension cord from disconnecting during use, tie the female end of the extension cord into a loose knot on the top right side of the middle frame before connecting to the make plug in the switch housing socket of the snowthrower.
3. Note that the snowthrower has a polarized make plug, with one prong in the switch housing socket slightly longer and wider than the other. The extension cord female end should be likewise polarized, so that the extension cord fits snugly into the switch housing socket.



#### WARNING

Damaged electrical cords present risk of fire, electrical shock, and serious bodily injury. Before operating the snow thrower, carefully examine the electrical cord. If the cord is damaged, do not use the snow thrower. Replace or repair the damaged cord immediately.

### Powering On and OFF

1. To power on, first press the switch knob alongside the switch housing . (pic.4)



pic.4



pic.5

2. Pull the handle bar toward you and catch hold of the handle bar firmly with both hands and the machine is started. (pic.5). The machine can only be started by pressing the switch button first, followed by squeezing the handle bar. Reverse operation cannot start the machine.
3. To power off, release your grip on the handle bar.

### Moving the machine and plowing the snow



#### WARNING

Foreign objects, such as rocks, broken glass, nails, wire, or string, can be picked up and thrown by the snow thrower, causing serious personal injury. Remove all foreign objects from the area to be plowed before operating the snow thrower.

1. Keep the area of operation free of foreign objects that can become thrown by the rotor blades. Perform a thorough inspection of the area since some objects may be hidden from view by surrounding snow. If the snow thrower hit an obstruction or picks up a foreign object during use, stop the snow thrower, disconnect the extension cord, remove the obstruction, and inspect the unit for damaged part before restarting and operating the unit.
2. Keep children, pets and bystanders away from the area of operation. Be aware that the normal noise of the machine when turned on may make it difficult for you to hear approaching people.
3. When moving the snow thrower, use the wheels on one side as the pivot point. Slightly tilt the snow thrower on this pivot point to move it forward or backward.
4. Start your clearing path near the electrical outlet and work outward, throwing snow in a back and forth motion. To clear in the opposite direction, step over the cord and pivot the snow thrower on its wheels. Make sure to overlap clearing paths.
5. Note wind direction. If possible, move in the same direction as the wind so that the snow is not thrown against the wind ( and thus back into your face and on the just cleared path.)
6. While moving the snow thrower, do not drag the power cable violently or roughly. The snow thrower should move within the range that the cable can catch.
7. Do not push the snow thrower with excessive force. You should push the machine gently and evenly in accordance with the unit's throw rate.

8. Do not apply additional hand-made load to the engine since this may cause engine damage.
9. Some parts of the snowthrower may freeze under extreme temperature conditions. Do not attempt to operate the snowthrower with frozen parts. If the parts freeze while the snowthrower is in use, stop the snowthrower, unplug the extension cord, and inspect for frozen parts. Free all parts before restarting or operating the snowthrower. Never force controls that have frozen.
10. Working on pebbles, gravel or unpaved surfaces—To avoid throwing loose surface material along with the snow, push down on the handle to raise the scraper at the base of the unit above the pebbles or gravel.

### Changing Throw Direction and Throw Height



**WARNING**

Never direct the snow discharge chute at the operator, at bystanders, at vehicles or at nearby windows. The discharged snow and foreign objects accidentally picked up by the snowthrower can cause serious damage and personal injury. Always orient the discharge chute in the opposite direction from where you, bystanders, surrounding vehicles, or windows are located.

1. The discharge chute can be adjusted by 180 degree by rotating the chute direction handle. Rotate the handle clockwise to move the discharge chute to the left; counterclockwise to move the chute to the right.
2. The chute deflector on the top of the discharge chute controls the height of the snowstream. Loosen both chute deflector knobs to raise or lower the deflector to the desired height of snow you wish to throw. Tighten the knobs to secure the deflector.  
Note: Do not overtighten the chute deflector knobs.

### Maintenance



**WARNING**

Make sure to turn off the switch and disconnect the extension cord before performing any maintenance task on your snowthrower.

### Lifetime Lubrication

Lubrication is not necessary and may damage the unit. The snowthrower is lubricated for lifetime use at the factory before shipment.

### General Maintenance Tips

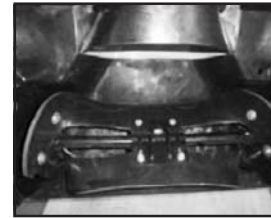
1. Do not attempt to repair the machine unless you have the proper tools and instructions for disassembly and repair of the machine.
2. Check the shear bolts and other bolts at frequent intervals for proper tightness to ensure that the equipment is in safe working condition.
3. After each snow removal season, run the snowthrower for a few minutes to prevent the collector/impeller from freezing. Shut off the motor, wait for all revolving parts to stop completely, and wipe residual ice and snow off the unit. Rotate the chute direction handle several times to remove any excess snow.

### Replacing the Rubber Plates

Note: When replacing worn rubber plates, pay close attention to carefully distinguish between the coarse and smooth side of the plates. Place the coarse side inside and the smooth side outside.

1. Detach the worn rubber plate by removing the two sets of nuts, bolts, and washers used to secure it.
2. Install the new rubber plate so that the coarse side faces inward and the smooth side faces outward.

3. Insert the bolt with the small flat washer into the corresponding holes on each end of the rubber plate. Use the large flat washer and locknut to secure the bolt on each end. Install the other rubber plate in the same way. (Pic.6-8)



Pic.6



Pic.7



Pic.8

### Replacing the Scraper

The scraper is located at the base of the snowthrower beneath the rotor housing.

1. Detach the worn scraper from the snowthrower by removing the 3 screws that hold it in place. See Pic.9&10
2. Install the new scraper and fasten it securely to the snowthrower with 3 screws. See Pic.11



Pic. 9

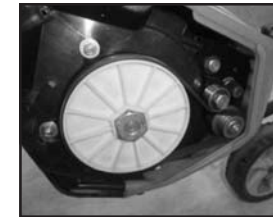


Pic. 10

### Replacing the Belt

Note: Determine the left and right sides of the snowthrower by standing behind the unit in the normal operating position.

1. Remove the screws from the left panel of the snowthrower.
2. Lift the belt tension and roll the belt off the big pulley. See Pic. 12
3. Replace the belt by following instructions in reverse order. See. Pic.13



Pic.11



Pic.12

### Storage

1. Allow the unit to cool and clean the unit before storing or transporting. Be sure to secure the unit while transporting.
2. Disconnect the extension cord from the snowthrower.
3. Inspect the extension cord closely for signs of wear or damage. Replace it if it is worn or damaged.
4. Inspect the snowthrower carefully for worn, loose, or damaged parts. Check connections and screws and tighten if necessary.

5. Store the unit, along with the disconnected extension cord, in a locked, dry place out of the reach of children to prevent unauthorized use or damage. Cover loosely with a tarp for added protection.

## LIMITED WARRANTY

All-Power warrants to the original purchaser who uses the product in a consumer application (personal, residential or household usage) that all products covered under this warranty are free from defects in material and workmanship for two years from the date of purchase. All products covered by this limited warranty which are used in commercial applications (i.e. income producing) are warranted to be free of defects in material and workmanship for 90 days from the date of original purchase. Products covered under this warranty include air compressors, air tools, service parts, pressure washers and generators. All-Power will repair or replace at All-Power sole option, products or components which have failed within the warranty period. Service will be scheduled according to the normal work flow and business hours at the service center location, and the availability of replacement parts. All decisions of All-Power with regard to this limited warranty shall be final. This warranty gives you specific legal rights, and you may also have other rights which vary from state to state.

### RESPONSIBILITY OF ORIGINAL PURCHASER (Initial User):

To process a warranty claim on this product, DO NOT return item to the retailer. The product must be evaluated by an Authorized Warranty Service Center. For the location of the nearest Authorized Warranty Service Center contact the retailer or place of purchase. Retain original cash register sales receipt as proof of purchase for warranty work.

Use reasonable care in the operation and maintenance of the product as described in the Owner's Manual(s).

Deliver or ship the product to the nearest Authorized Warranty Service Center. Freight costs, if any, must be paid by the purchaser.

Air compressors with 60 and 80 gallon tanks will be inspected at the site of installation. Contact the nearest Authorized Warranty Service Center that provides on-site service calls for service call arrangements.

If the purchaser does not receive satisfactory results from the Authorized Warranty Service Center, the purchaser should contact All-Power.

## LIMITED WARRANTY (cont'd)

### THIS WARRANTY DOES NOT COVER:

Merchandise sold as reconditioned, used as rental equipment, or floor or display models.

Merchandise that has become damaged or inoperative because of ordinary wear, misuse, cold, heat, rain, excessive humidity, freeze damage, use of improper chemicals, negligence, accident, failure to operate the product in accordance with the instructions provided in the Owner's Manual(s) supplied with the product, improper maintenance, the use of accessories or attachments not recommended by All-Power, or unauthorized repair or alterations.

Repair and transportation costs of merchandise determined not to be defective.

Costs associated with assembly, required oil, adjustments or other installation and start-up costs.

Expendable parts or accessories supplied with the product which are expected to become inoperative or unusable after a reasonable period of use.

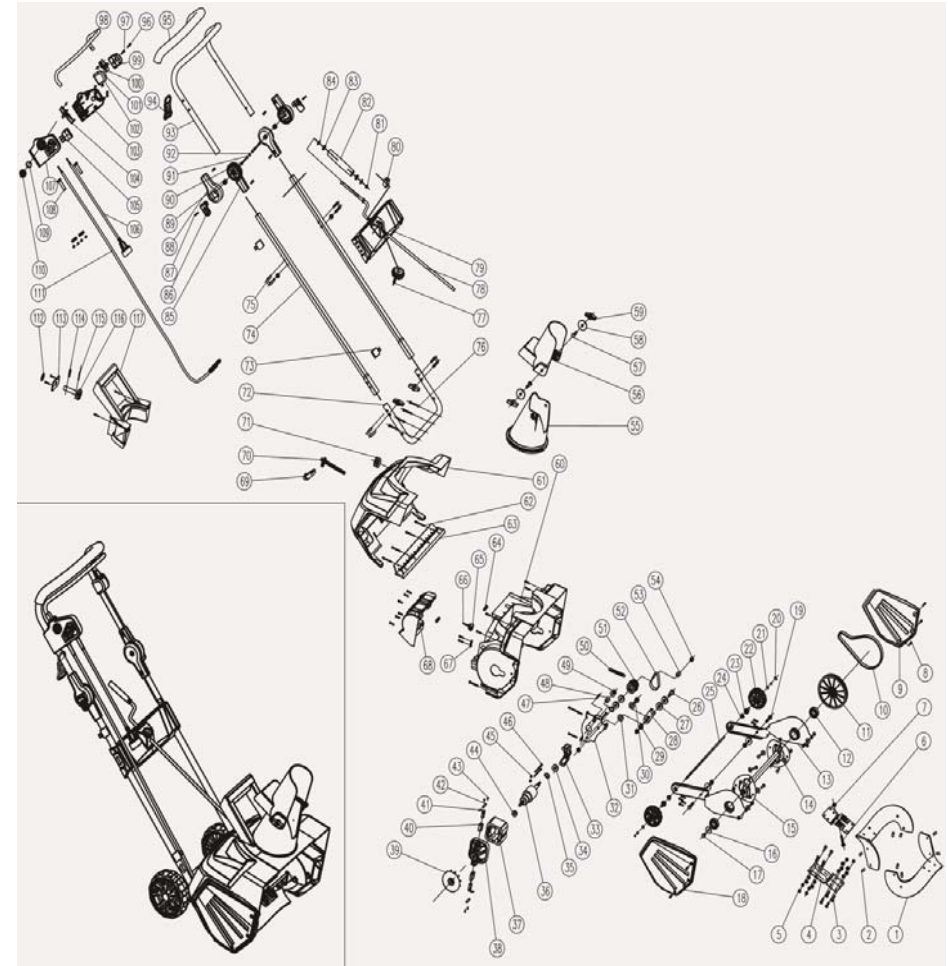
Merchandise sold by All-Power which has been manufactured by and identified as the product of another company, such as gasoline engines. The product manufacturer's warranty, if any, will apply.

ANY INCIDENTAL, INDIRECT OR CONSEQUENTIAL LOSS, DAMAGE, OR EXPENSE THAT MAY RESULT FROM ANY DEFECTS, FAILURE OR MALFUNCTION OF THE PRODUCT IS NOT COVERED BY THIS WARRANTY. Some states do not allow the exclusion, so it may not apply to you.

IMPLIED WARRANTIES, INCLUDING THOSE OF MERCHANTABILITY OR FITNESS FOR A PARTICULAR PURPOSE, ARE LIMITED TO TWO YEARS FROM THE DATE OF ORIGINAL PURCHASE. Some states do not allow limitations on how long an implied warranty lasts, so the above limitations may not apply.

Distributed by:  
ALL-POWER AMERICA  
[www.allpoweramerica.com](http://www.allpoweramerica.com)

## Exploded Drawing



## Parts List

APA Parts No.	Pos No.	Manufacturer Part No.	Description	Qty.
SB1810E-01-YAT	1	8231-660101	Scrape snow blade	2
SB1810E-02-YAT	2	8063-660104	Bush	16
SB1810E-03-YAT	3	8SFCC06-16D	Hex bolt 6*16	20
SB1810E-04-YAT	4	8187-660103	Middle support plate	2
SB1810E-05-YAT	5	8NH-06D	Nylon locking nut M6	22
SB1810E-06-YAT	6	8SFDD08-35D8.8	Hex bolt 8*35	3
SB1810E-07-YAT	7	8NH-08D	Nylon locking nut M8	7
SB1810E-08-YAT	8	8SJAB50-20B	Self tapping screw 5*20	41
SB1810E-09-YAT	9	8021-660101	Left side panel	1
SB1810E-10-YAT	10	8345-660102	Belt	1
SB1810E-11-YAT	11	8440-660103	Driven wheel assembly	1
SB1810E-12-YAT	12	8BC-401712-ST03	6203RS bearing	2
SB1810E-13-YAT	13	8292-660101	Iron support	2
SB1810E-14-YAT	14		8WF-06C01	8
SB1810E-15-YAT	15	8230-660101	Twisted seaming assy'	1
SB1810E-16-YAT	16	8WF-06D01	Big washer	3
SB1810E-17-YAT	17	8SFDD08-12D	Hex bolt 8*12	1
SB1810E-18-YAT	18	8021-660102	Right side panel	1
SB1810E-19-YAT	19	8SFDD08-35D	Hex bolt 8*35	2
SB1810E-20-YAT	20	8440-915404	Wheel back cap	2
SB1810E-21-YAT	21	8202-660104	Washer	2
SB1810E-22-YAT	22	8440-915403	Wheel assy'	2
SB1810E-23-YAT	23	8210-660101	Nylon bush	2
SB1810E-24-YAT	24	8210-660102	Nylon sleeve	2
SB1810E-25-YAT	25	8081-660102	Wheel shaft	1
SB1810E-26-YAT	26	8206-660103	Tensioning wheel bolt	1
SB1810E-27-YAT	27	8BC-281208-ST01	6001Z Tensioning bearing	2
SB1810E-28-YAT	28	8188-660101	Tensioning wheel rocking arm	1
SB1810E-29-YAT	29	8WF-12B	Washer	3
SB1810E-30-YAT	30	8206-660102	Rocking arm bolt	1
SB1810E-31-YAT	31	8WF-8D	Washer	3
SB1810E-32-YAT	32	8230-660102	Tensioning panel assy'	1
SB1810E-33-YAT	33	8291-660101	Motor front support	1
SB1810E-34-YAT	34	8BC-261008-SS01	6000 2RS Bearing	3
SB1810E-35-YAT	35	8CB-26B	Retaining ring	2
SB1810E-36-YAT	36	8402-660101	Rotor assy'	1
SB1810E-37-YAT	37	8405-660101	Stator assy'	1
SB1810E-38-YAT	38	8291-481002	Motor back support	1
SB1810E-39-YAT	39	8403-660101	Fan wheel	1
SB1810E-40-YAT	40	8409-481601	Brush holder	2
SB1810E-41-YAT	41	8406-545202	Carbon brush	2
SB1810E-42-YAT	42	8181-481004	Brush cover	2

## Parts List (cont'd)

APA Parts No.	Pos No.	Manufacturer Part No.	Description	Qty.
SB1810E-43-YAT	43	8SNAB30-08B	Flange self tapping screw 3*8	4
SB1810E-44-YAT	44	8BC-220807-SS01	608 2RS Bearing	2
SB1810E-45-YAT	45	8NA-04D01	Hex nut	2
SB1810E-46-YAT	46	8SJAN04-80B	Screw 4*80	2
SB1810E-47-YAT	47	8SJAC48-24B	Self tapping screw 4.8*20	6
SB1810E-48-YAT	48	8063-660103	Driving wheel sleeve	1
SB1810E-49-YAT	49	8122-660102	Driving wheel	1
SB1810E-50-YAT	50	8342-660101	Extension spring	1
SB1810E-51-YAT	51	8122-660103	Middle belt wheel	1
SB1810E-52-YAT	52	8345-660101	Circular arc belt	1
SB1810E-53-YAT	53	8063-660101	Middle belt wheel sleeve	1
SB1810E-54-YAT	54	8NH-08D	Nylon locking nut	1
SB1810E-55-YAT	55	8101-660101	Below spout	1
SB1810E-56-YAT	56	8101-660103	Up spout	1
SB1810E-57-YAT	57	8SBJC08-30D	Bolt 8*30	2
SB1810E-58-YAT	58	8202-660101	Rubber washer	2
SB1810E-59-YAT	59	8313-516301	Up knob assy'	4
SB1810E-60-YAT	60	8024-660101	Scrape snow cover	1
SB1810E-61-YAT	61	8020-660101	Up cover	1
SB1810E-62-YAT	62	8SJAB50-30B	Self tapping screw 5*30	7
SB1810E-63-YAT	63	8321-660101	Scrape snow shovel	1
SB1810E-64-YAT	64	8341-629901	Shock pad	2
SB1810E-65-YAT	65	8411-333101	Connector	1
SB1810E-66-YAT	66	8SJAB30-22B	Self tapping screw 3*22	1
SB1810E-67-YAT	67	8184-282102	Cable clamp	3
SB1810E-68-YAT	68	8185-660101	Motor cover	1
SB1810E-69-YAT	69	8424-660101	Overcurrent protect	1
SB1810E-70-YAT	70	8413-660103	Connecting wire 3	1
SB1810E-71-YAT	71	8210-660104	Rubber ring	1
SB1810E-72-YAT	72	8061-660101	Below handle	1
SB1810E-73-YAT	73	8007-517001	Wire hook	2
SB1810E-74-YAT	74	8087-660104	Connector handle	2
SB1810E-75-YAT	75	8087-660105	U-Bolt	4
SB1810E-76-YAT	76	8SJAB50-35B	Self tapping screw 5*35	7
SB1810E-77-YAT	77	8313-660101	Locking knob assy'	1
SB1810E-78-YAT	78	8087-660106	Up rocker arm	1
SB1810E-79-YAT	79	8187-660104	Control panel	1
SB1810E-80-YAT	80	8304-660101	Locking plate	1
SB1810E-81-YAT	81	8CC-09B	Shaft retaining ring	1
SB1810E-82-YAT	82	8331-660103	Rocking arm sleeve	1
SB1810E-83-YAT	83	8210-660103	Rocking bush	2
SB1810E-84-YAT	84	8202-660103	Washer	2



## Parts List (cont'd)

APA Parts No.	Pos No.	Manufacturer Part No.	Description	Qty.
SB1810E-85-YAT	85	8141-660102	Left adjust head	2
SB1810E-86-YAT	86	8312-660101	Adjust divider rod	2
SB1810E-87-YAT	87	8086-670101	Pin shaft 1	2
SB1810E-88-YAT	88	8141-660103	Right adjust head	2
SB1810E-89-YAT	89	8342-670101	Press spring	2
SB1810E-90-YAT	90	8086-670102	Pin shaft 2	1
SB1810E-91-YAT	91	8202-660104	Washer	2
SB1810E-92-YAT	92	8NH-05D	Hex nylon locking nut M5	2
SB1810E-93-YAT	93	8087-660103	Up handle	1
SB1810E-94-YAT	94	8313-512101	Hook line	1
SB1810E-95-YAT	95	8331-660101	Handle sleeve	1
SB1810E-96-YAT	96	8SJAB40-18B	Self tapping screw 4*18	9
SB1810E-97-YAT	97	8SJAB40-25B	Self tapping screw 4*25	3
SB1810E-98-YAT	98	8087-660102	Switch handle	1
SB1810E-99-YAT	99	8145-660101	Assistance handle left cover	1
SB1810E-100-YAT	100	8292-670105	Support	1
SB1810E-101-YAT	101	8SJAC35-10B	Self tapping screw 3.5*10	2
SB1810E-102-YAT	102	8145-660102	Assistance handle right cover	1
SB1810E-103-YAT	103	8020-512504-01	Switch box below cover	1
SB1810E-104-YAT	104	8044-670101	Switch handle	1
SB1810E-105-YAT	105	8042-512401	Switch	1
SB1810E-106-YAT	106	8422-620201	Cable wire	1
SB1810E-107-YAT	107	8020-512503-01	Switch box up cover	1
SB1810E-108-YAT	108	8332-516201	Cable sleeve	2
SB1810E-109-YAT	109	8342-512401	Button spring	1
SB1810E-110-YAT	110	8312-512401	Switch button	1
SB1810E-111-YAT	111	8413-660104	Cable wire	1
SB1810E-112-YAT	112	8WF-16D	Washer M16	1
SB1810E-113-YAT	113	8130-660104	Gear base	1
SB1810E-114-YAT	114	8086-660101	Open pin	1
SB1810E-115-YAT	115	8091-660102	Spring pin	1
SB1810E-116-YAT	116	8123-660101	Gear	1
SB1810E-117-YAT	117	8101-660102	Out snow mouth	1